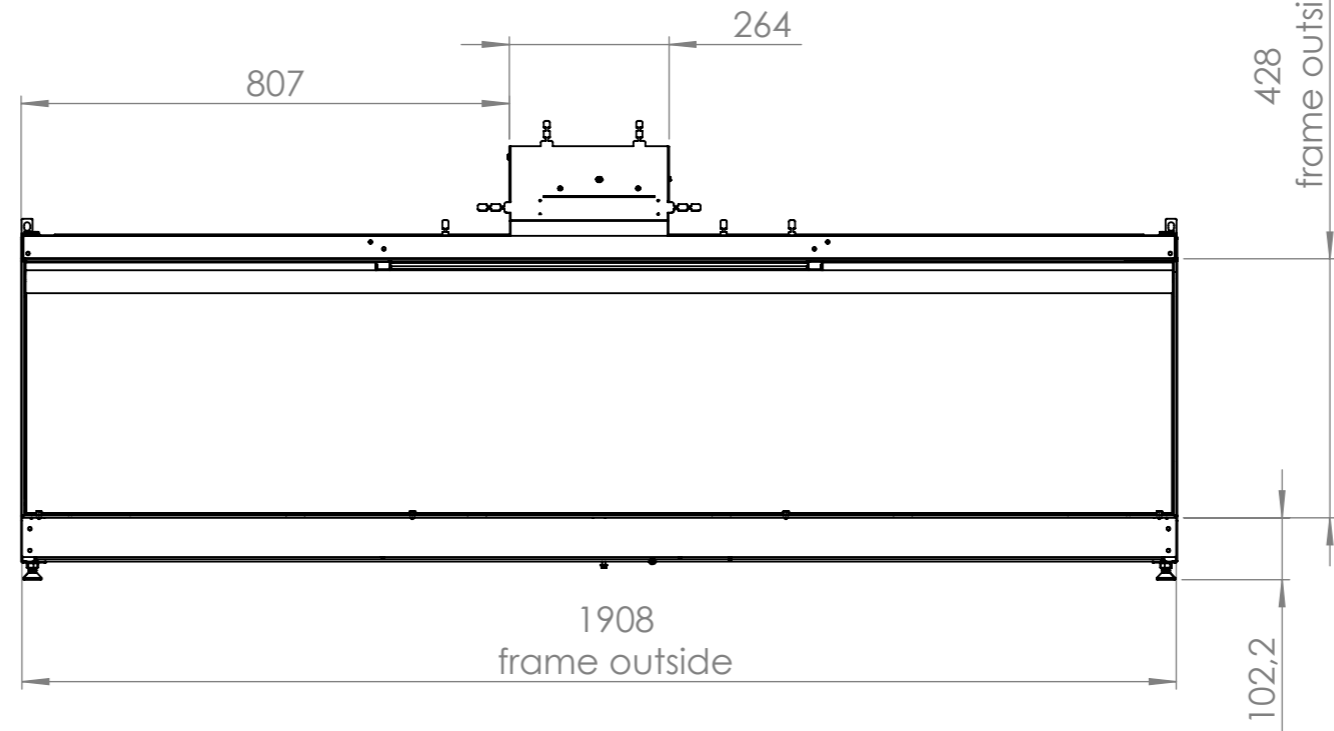
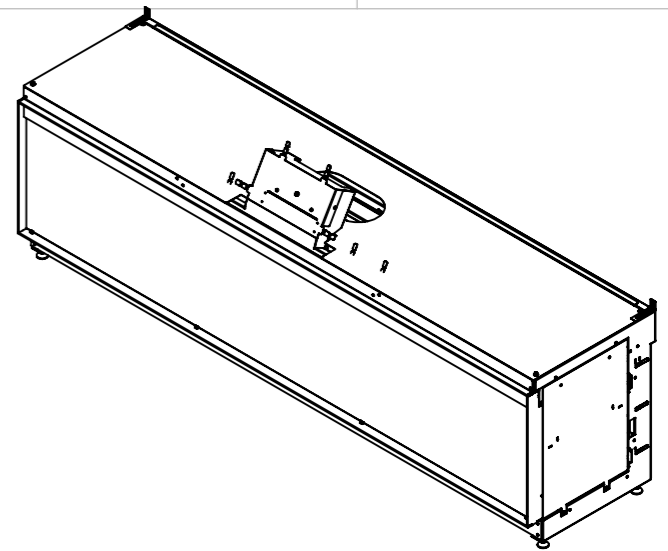
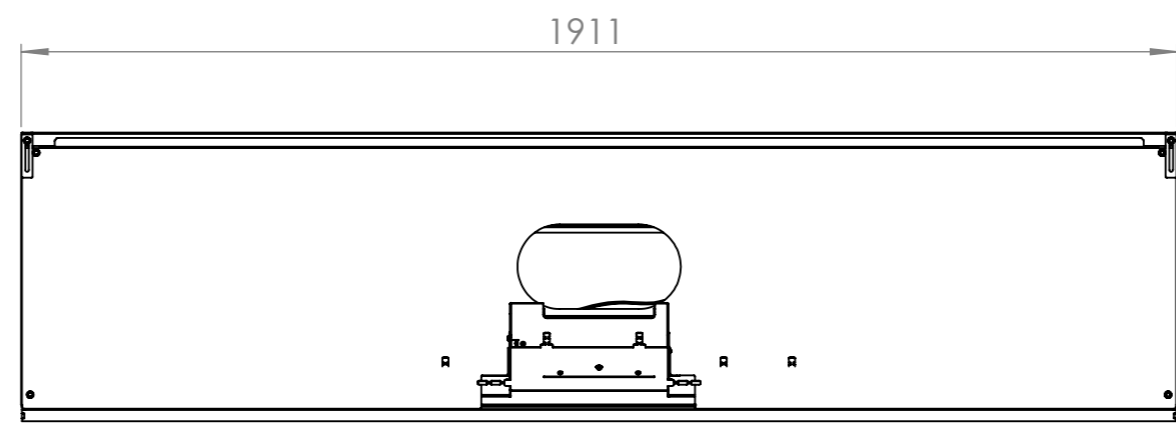
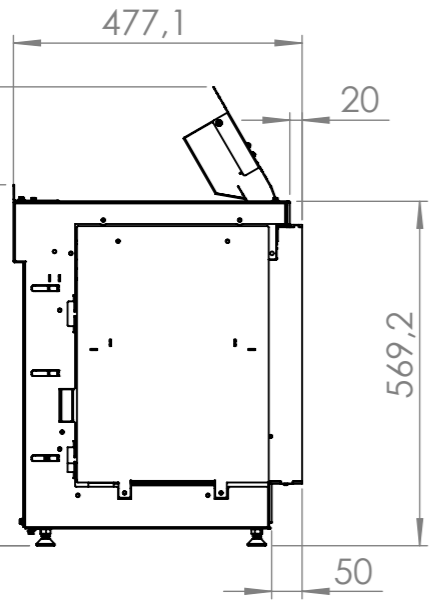


758,3  
Height including atmos heating

596,7  
Height excluding atmos heating



Note:  
 Minimum of 2mm clearance around frame.  
 All materials must withstand a temperture of minimum 80 degrees.  
 A minimum of 100 cm2 of free area is required.  
 Ventilation must be provided at both the bottom and top of the housing.

**KALFIRE**  
FIREPLACES

Treatment:			
Material:			
Mass (Kg): 120.79	Date: 4-4-2023	Author: MM	Third Angle Projection ISO 128-Method A
Description:  E-ONE 190 F			
Drawing number: KF04390		Rev.: 00	Scale: Size: Page: 1:12,5 A3 1/1

All rights reserved. All dimensions in mm.  
 Copywrited / Reprints prohibited. Kal-fire BV.

State : In Progress